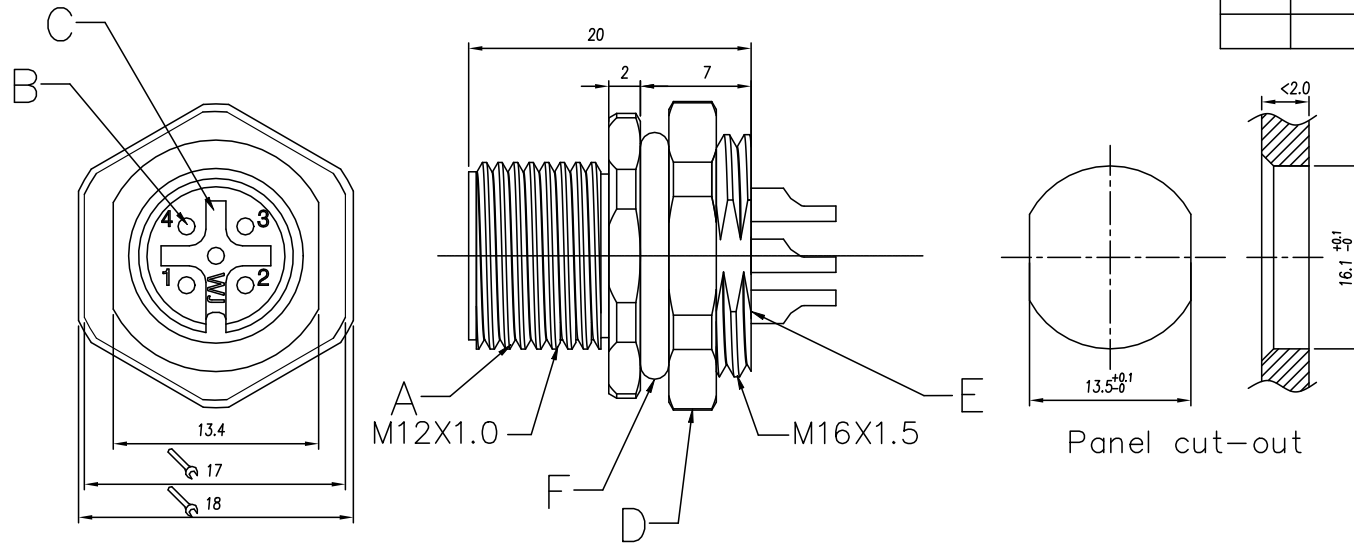


REVISION RECORD

REV.	DESCRIPTION	ECN No.	APPROVED	DATE



IEC 技术参数		IEC61076-2-101
IEC Technical Data		
工作温度 Operating temperatur [°C]		-25~+80
防护等级 IP Class (IN Locked condition)		IP67
额定电压 Rated Voltage [V]		
额定电流 Rated Current [A]		
导线截面积 Conductor cross section		
硬质/柔性导线 Solid/ flexible [mm <sup>2</sup> ]		
接线范围 Wire Range		
单/多芯线 Solid/Stranded [AWG]		
材料 Material		
绝缘材料 Insulation Material		PA 66
阻燃等级 Imflammability		UL94V-0
导体材料 Contactor Material		铜合金 Copper alloy
导体镀层 Contactive Coating		镀金 Gold Plated
螺母/螺丝 Connector Nut/Screw		Brass With Nickel Plated 铜镀镍
符合RoHS环保要求		

Contacts Pin 数	3Pin	4Pin	5Pin	8Pin	12Pin	17Pin
A-Coding						
Rated Current 额定电流	4A	4A	4A	2A	1.5A	1.5A
Rated Voltage 额定电压	250V	250V	60V	30V	30V	30V
Wire Range 线范围	22AWG	22AWG	22AWG	24AWG	26AWG	26AWG
PART NO. 品名:	M12-A03P-ST0-M02-BH1	M12-A04P-ST0-M02-BH1	M12-A05P-ST0-M02-BH1	M12-A08P-ST0-M02-BH1	M12-A12P-ST0-M02-BH1	M12-A17P-ST0-M02-BH1
Customized 定制化:	.....	.....	.....	.....	.....	.....

F	O-Ring	O-Ring FKM Black	pcs	1
E	Resin	Black epoxy resin for sealing	g	2
D	Nut	Nut: M16 X1.5, Brass With Nickel Plated	pcs	1
C	Housing	A-Coding Male 5PIN, Black PA66	pcs	1
B	Terminal	Male Terminal, Brass With Gold Plated	pcs	X
A	Screw	Screw M12 X1.0, Brass With Nickel Plated	pcs	1
编号 No.	料号 Materials No.	品名 Name	材料规格 Description	单位 Unit 用量 Qty

		慈溪市万捷电子有限公司				PART NO.:	
		CIXI WANJIE ELECTRONIC CO., LTD				M12-AXXP-ST0-M02-BH1	
NO SPECIFIED TOLERANCE		Cus' P/N:	Order No.:	---		Drawing No.:	SP-02-M00XXX
LINEAR	0.5-6	±0.1	DES.	Jun	DATE	UNITS	mm
	6-30	±0.2	CHK.		DATE	SIZE	A4
	>30	±2%	APP.		DATE	SCALE	X:X
ANGLES	±1°						文件等级: 外部公开