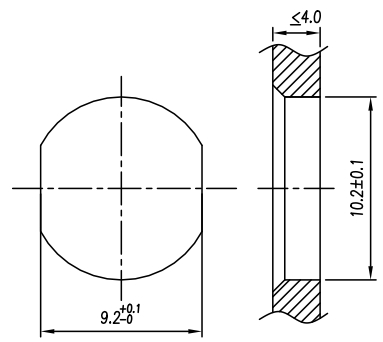


| Contacts Pin 数 | 3Pin | 4Pin | 5Pin | 6Pin | 8Pin |
|--------------------|-------------------------|-------------------------|-------------------------|-------------------------|-------------------------|
| Coding 编码 | A-Coding | A-Coding | B-Coding | A-Coding | A-Coding |
| Rated Current 额定电流 | 3A | 3A | 3A | 1.5A | 1.5A |
| Rated Voltage 额定电压 | 60V | 60V | 30V | 30V | 30V |
| Wire Range 线范围 | 24AWG | 24AWG | 24AWG | 26AWG | 26AWG |
| PART NO.品名(0.5M): | M08-A03-ST0-F02-BQ3-050 | M08-A04-ST0-F02-BQ3-050 | M08-B05-ST0-F02-BQ3-050 | M08-A06-ST0-F02-BQ3-050 | M08-A08-ST0-F02-BQ3-050 |
| Customized.定制化: | | | | | |

| REVISION RECORD | | | | |
|-----------------|-------------|---------|----------|------------|
| REV. | DESCRIPTION | ECN No. | APPROVED | DATE |
| V0 | -- | / | | 2021.08.18 |

| IEC 技术参数 IEC Technical Data | | IEC61076-2-104 |
|---|--|------------------------------|
| 工作温度 Operating temperatur [°C] | | -25~+80 |
| 防护等级 IP Class (IN Locked condition) | | IP67 |
| 额定电压 Rated Voltage [V] | | / |
| 额定电流 Rated Current [A] | | / |
| 导线截面积 Conductor cross section 硬质/柔性导线 Solid/ flexible [mm²] | | / |
| 接线范围 Wire Range 单/多芯线 Solid/Stranded [AWG] | | / |
| 材料 Material | | |
| 绝缘材料 Insulation Material | | PA 66 |
| 阻燃等级 Imflammability | | UL94V-0 |
| 导体材料 Contactor Material | | 铜合金 Copper alloy |
| 导体镀层 Contactive Coating | | 镀金 Gold Plated |
| 螺母/螺丝 Connector Nut/Screw | | Brass With Nickel Plated 铜镀镍 |
| 符合RoHS环保要求 | | |



Panel cut-out

| | | | | |
|--------|-----------------|---|------------------|----------------|
| H | WIRE | WIRE: UL1061 L=505mm | | X |
| G | O-Ring | O-Ring FKM Orange | pcs | 1 |
| F | O-Ring | O-Ring FKM Black | pcs | 1 |
| E | Resin | Black epoxy resin for sealing | g | 1 |
| D | Nut | Nut: M8 X0.5,Brass With Nickel Plated | pcs | 1 |
| C | Housing | Housing Female ,Black PA66 | pcs | 1 |
| B | Terminal | Female Terminal ,Brass With Gold Plated | pcs | X |
| A | Screw | Screw M8X1.0,Brass With Nickel Plated | pcs | 1 |
| 编号 No. | 料号 Materials.No | 品名 Name | 材料规格 Description | 单位 Unit 用量 Qty |

| NO SPECIFIED TOLERANCE | | Cus' P/N: | Order No : | --- | Drawing No.: | SP-02-M000XX |
|------------------------|-------|-----------|------------|------|--------------|--------------|
| LINEAR | 0.5-6 | ±0.1 | DES. | JUN | DATE | UNITS mm |
| | 6-30 | ±0.2 | CHK. | DATE | SCALE | A4 |
| | >30 | ±2% | APP. | DATE | SCALE | X:X |
| ANGLES | ±1° | | | | 文件等级:外部公开 | |



慈溪市万捷电子有限公司
CIXI WANJIE ELECTRONIC CO., LTD

PART NO.: M08-AXXP-ST0-F02-BQ3-XXX

THIRD ANGLE PROJECTION
PAGE 1 of 2

| REVISION RECORD | | | | |
|-----------------|-------------|---------|----------|------------|
| REV. | DESCRIPTION | ECN No. | APPROVED | DATE |
| V0 | -- | / | | 2021.08.18 |
| | | | | |

3Pin

| | |
|----|----------|
| P1 | Wirelist |
| 1 | brown |
| 3 | blue |
| 4 | black |

4Pin

| | |
|----|----------|
| P1 | Wirelist |
| 1 | brown |
| 2 | white |
| 3 | blue |
| 4 | black |

5Pin

| | |
|----|----------|
| P1 | Wirelist |
| 1 | brown |
| 2 | white |
| 3 | blue |
| 4 | black |
| 5 | grey |

8Pin

| | |
|----|----------|
| P1 | Wirelist |
| 1 | white |
| 2 | brown |
| 3 | green |
| 4 | yellow |
| 5 | grey |
| 6 | pink |
| 7 | blue |
| 8 | red |

6Pin

| | |
|----|----------|
| P1 | Wirelist |
| 1 | brown |
| 2 | white |
| 3 | blue |
| 4 | black |
| 5 | grey |
| 6 | pink |

| | | | | | | | | | |
|--|-------|------------|-----------|--------------------------|--------------|-------|--------------|------------------------|------|
|  慈溪市万捷电子有限公司 CIXI WANJIE ELECTRONIC CO., LTD | | PART NO.: | | M08-AXXP-ST0-F02-BQ3-XXX | | | | | |
| | | Order No.: | | --- | | | | | |
| NO SPECIFIED TOLERANCE | | | Cus' P/N: | | Drawing No.: | | SP-02-M000XX | | |
| LINEAR | 0.5-6 | ±0.1 | DES. | Jun | DATE | UNITS | mm | THIRD ANGLE PROJECTION | PAGE |
| | 6-30 | ±0.2 | CHK. | | DATE | SIZE | A4 | | |
| | >30 | ±2% | APP. | | DATE | SCALE | X:X | 文件等级: 外部公开 | |